

# CLRv3 Select

## Commercial Recessed LED Downlight

### Product Description

Designed for both new construction and retrofit applications, the CLR Select series can be installed directly into drywall, a ceiling grid or an existing 4", 6" or 8" mounting frame using spring loaded retention tabs. The CCT and output selectable design allows for easy adjustment to 3000, 3500, 4000, or 5000K and standard, medium or high output. With Standard and Low Output models available, the lighting can be easily tailored to match the space or meet rebate levels. With accessory trims in black and offering a full range of dimming via 1-10 volts, the CLR Select is adaptable to most any environment. The versatility of this light source is perfect for commercial applications, such as educational, governmental, retail and grocery, office or hospitality lighting.

#### Construction

- Spun aluminum trim
- Plastic driver housing
- 3' flexible metal conduit (FMC) whip
- Matte white powder coat
- Black faceplates available

#### Optical System

- Precision engineered polystyrene diffuser provides high uniformity, and reduced glare
- No visible diodes, hot-spots, or shadows
- 4 CCT selection (3000K, 3500K, 4000K, 5000K) via switch on driver cover

#### Electrical

- 5 Wire whip - 3 Input (L,N,G) and 2 controls (DIM+, DIM-)
- Universal range input 120 - 277 VAC, 60Hz
- 3 wattage selection (Standard, Medium, High) via switch on driver cover
- Default Setting of 4000K and Standard output
- 2 models of output - Standard and Low

#### Controls

- Dimming via 1-10VDC controls
- Available Bluetooth Wireless Controls Accessory. See: [www.nicorlighting.com/network-lighting-controls](http://www.nicorlighting.com/network-lighting-controls)

#### Mounting and Installation

- Adjustable, spring loaded retention tabs ensure secure fixture retention on ceilings up to 1 1/2" thick
- Easy installation into most 4", 6" or 8" incandescent or fluorescent frames
- Frame not needed for new construction installation
- NON-IC Operating temperature of 0°F to 104°F (-18°C to 40°C)
- IC Operating temperature of 0°F to 77°F (-18° to 25°C)
- Metal rough-in templates and frames available
- For installations where power surge may be possible, NICOR recommends installing additional surge protection at the fixture or electrical distribution panel

#### Listings

- cULus 1598 Listed for wet locations
- Certified for direct contact with insulation - 4" model only
- Meets ASTM E283 airtight requirements
- TAA compliant
- RoHS compliant
- Meets FCC Part 15, Subpart B, Class A standards for conducted and radiated emissions
- TM-21 Reported L70(9k) life >72,000 hours
- LM-79, LM-80 testing performed in accordance with IESNA standards

#### Warranty

- 5-year limited system warranty standard
- Warranty does not cover product failure due to an overvoltage event (power surge)

Project

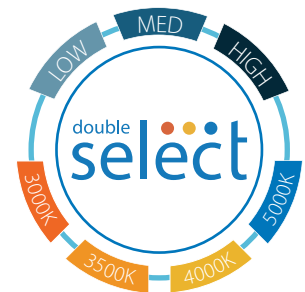
Catalog

Type

Date



## CLRv3 Commercial LED Downlight 4", 6", 8" Diameters Selectable Wattage & CCT



# CLRv3 Select

## Commercial Recessed LED Downlight

### Ordering

#### Ordering Information

Example: CLR63SUS9WH

Series	Diameter	Version	Wattage	Voltage	CCT	CRI	Color
CLR	4 (4 inch)	3 (Version 3.0)	S (Selectable)	U (120-277V)	S (Selectable)	9 (90 CRI)	WH (White)
	6 (6 inch)		SL (Selectable Low Lumen)				
	8 (8 inch)						

Specifications and dimensions subject to change without notice.

#### Recommended Dimmers\*

Lutron NTSTV-DV-WH

Lutron DVSTV

Cooper SF10P

Legrand RH4FBL3PW

#### Accessories

Accessories sold separately.

Black 4" Trim	CLR43-TR-BK
Black 6" Trim	CLR63-TR-BK
Black 8" Trim	CLR83-TR-BK
3", 4", 6" Rough In Flat Template	ROUGHIN-TEMPLATE-346
8" Rough in Template	ROUGHIN-TEMPLATE-8
4" Rough In Frame	DLE4-ROUGHIN-FRAME
6" Rough In Frame	DLE6-ROUGHIN-FRAME
3", 4", 6" Rough In Frame	MULTIFRAME-346-1
Emergency Battery Backup	EMI200-1-UNV
Bluetooth Wireless Controls	NLCDOWN1

# CLRV3 Select

## Commercial Recessed LED Downlight

Performance Data			Standard Output			Low Output		
Model Number	Output Setting	Nominal CCT	Light Output (lm)	Power Draw (W)	Efficiency (Lm/W)	Light Output (lm)	Power Draw (W)	Efficiency (Lm/W)
CLR43SUS9WH	Standard	3000	806	7.0	115.2	594	6.9	86.5
		3500	818		116.9	615	6.7	91.6
		4000	829		118.4	622	6.6	93.9
		5000	830		118.6	600	6.8	88.4
CLR43SLUS9WH	Medium	3000	1137	9.9	114.8	686	7.8	87.4
		3500	1164		117.6	710	7.7	92.6
		4000	1183		119.5	718	7.6	94.9
		5000	1174		118.6	693	7.8	89.3
	High	3000	1269	10.8	117.5	768	8.8	87.0
		3500	1300		120.4	795	8.6	92.2
		4000	1322		122.4	804	8.5	94.4
		5000	1309		121.2	776	8.7	88.9
CLR63SUS9WH	Standard	3000	1238	12.8	96.7	639	6.9	92.1
		3500	1288		100.6	685	6.7	102.5
		4000	1314		102.7	703	6.7	105.5
		5000	1319		103.0	681	6.9	98.8
CLR63SLUS9WH	Medium	3000	1654	17.5	94.5	798	8.9	89.6
		3500	1737		99.3	857	8.6	99.6
		4000	1782		101.8	879	8.6	102.6
		5000	1767		101.0	852	8.9	96.0
	High	3000	2119	24.0	88.3	1011	10.9	92.8
		3500	2132		88.8	1085	10.5	103.2
		4000	2250		93.8	1113	10.5	106.3
		5000	2273		94.7	1079	10.8	99.5
CLR83SUS9WH	Standard	3000	2602	24.9	104.5	1017	11.6	87.3
		3500	2750		110.4	1042	11.4	91.1
		4000	2802		112.5	1044	11.5	91.0
		5000	2764		111.0	1026	11.6	88.4
CLR83SLUS9WH	Medium	3000	2988	29.3	102.0	1525	15.5	98.3
		3500	3194		109.0	1564	15.3	102.5
		4000	3257		111.2	1566	15.3	102.4
		5000	3192		109.0	1539	15.5	99.5
	High	3000	3480	34.9	99.7	2135	21.3	100.0
		3500	3521		100.9	2189	21.0	104.4
		4000	3668		105.1	2193	21.0	104.2
		5000	3692		105.8	2154	21.3	101.3

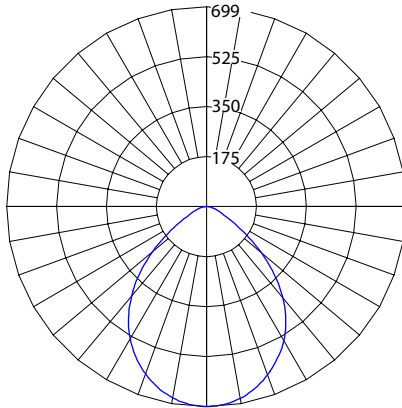
# CLRV3 Select

## Commercial Recessed LED Downlight

### Photometric Data - Standard Output

#### CLR4 11W, 3000K

Input Voltage (VAC)	120-277
System Level Power (W)	10.8
Delivered Lumens (Lm)	1269
System Efficacy (Lm/W)	117.5
Correlated Color Temp (K)	3048
Color Rendering Index (CRI)	95 R9=64
Beam Angle	83.6
Spacing Criteria	1.16



#### Intensity Summary (Candle Power)

Angle	Mean CP
0	699
5	696
15	663
25	594
35	480
45	312
55	150
65	73
75	37
85	10
90	0

#### Cone of Light Tabulation

Mounted height (Inches)	Footcandles Beam Center	Diameter (Feet)
4	43.7	7.2
6	19.4	10.7
8	10.9	14.3
10	7.0	17.9
12	4.8	21.5
14	3.5	25.0
16	2.7	28.6

#### Zonal Lumen Summary

Zone	Lumens	% of Luminaire
0-30	519	40.9%
0-40	806	63.6%
0-60	1156	91.1%
0-90	1269	100%
90-180	0	0%
0-180	1269	100%

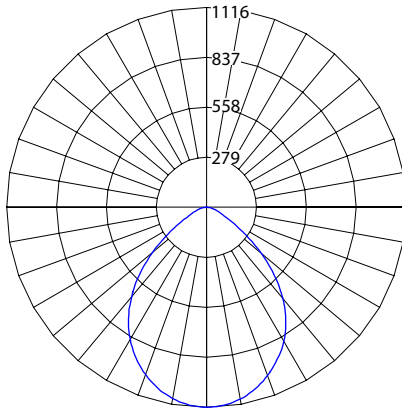
Data Multiplier applies to Lumens, Candle Power, Cone of Light, and Zonal Lumen Summary. See Performance Table for Lm, Watts and LPW values.

#### Data Multiplier

	30K	35K	40K	50K
Low	0.635	0.645	0.653	0.654
Med	0.896	0.918	0.932	0.925
High	1.000	1.028	1.046	1.035

#### CLR6 24W, 3000K

Input Voltage (VAC)	120-277
System Level Power (W)	24.0
Delivered Lumens (Lm)	2119
System Efficacy (Lm/W)	88.3
Correlated Color Temp (K)	3000
Color Rendering Index (CRI)	93 R9=61
Beam Angle	87.9
Spacing Criteria	1.16



#### Intensity Summary (Candle Power)

Angle	Mean CP
0	1116
5	1108
15	1045
25	930
35	759
45	525
55	260
65	99
75	45
85	11
90	0

#### Cone of Light Tabulation

Mounted height (Inches)	Footcandles Beam Center	Diameter (Feet)
4	69.7	7.7
6	30.9	11.6
8	17.4	15.4
10	11.1	19.3
12	7.7	23.1
14	5.6	27.0
16	4.3	30.8

#### Zonal Lumen Summary

Zone	Lumens	% of Luminaire
0-30	829	39.1%
0-40	1305	61.6%
0-60	1953	92.2%
0-90	2119	100%
90-180	0	0%
0-180	2119	100%

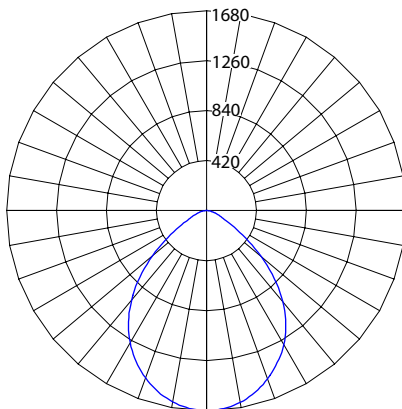
Data Multiplier applies to Lumens, Candle Power, Cone of Light, and Zonal Lumen Summary. See Performance Table for Lm, Watts and LPW values.

#### Data Multiplier

	30K	35K	40K	50K
Low	0.548	0.608	0.620	0.622
Med	0.780	0.820	0.841	0.834
High	1.000	1.006	1.062	1.073

#### CLR8 34W, 3000K

Input Voltage (VAC)	120-277
System Level Power (W)	34.9
Delivered Lumens (Lm)	3480
System Efficacy (Lm/W)	99.7
Correlated Color Temp (K)	3065
Color Rendering Index (CRI)	93 R9=62
Beam Angle	93.8
Spacing Criteria	1.18



#### Intensity Summary (Candle Power)

Angle	Mean CP
0	1678
5	1665
15	1574
25	1408
35	1183
45	895
55	551
65	208
75	61
85	15
90	0

#### Cone of Light Tabulation

Mounted height (Inches)	Footcandles Beam Center	Diameter (Feet)
4	104.9	8.5
6	46.6	12.8
8	26.1	17.1
10	16.7	21.4
12	11.6	25.6
14	8.5	29.9
16	6.5	34.2

#### Zonal Lumen Summary

Zone	Lumens	% of Luminaire
0-30	1252	36%
0-40	1992	57.2%
0-60	3178	91.3%
0-90	3480	100%
90-180	0	0%
0-180	3480	100%

Data Multiplier applies to Lumens, Candle Power, Cone of Light, and Zonal Lumen Summary. See Performance Table for Lm, Watts and LPW values.

#### Data Multiplier

	30K	35K	40K	50K
Low	0.748	0.790	0.805	0.794
Med	0.859	0.918	0.936	0.917
High	1.000	1.012	1.054	1.061

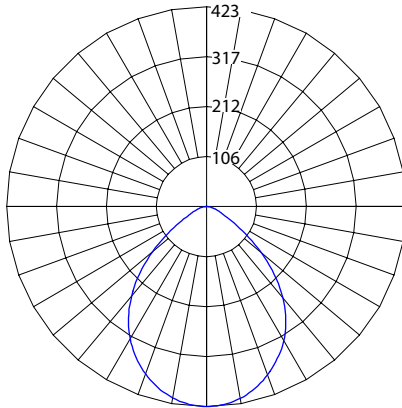
# CLRv3 Select

## Commercial Recessed LED Downlight

### Photometric Data - Low Output

#### CLR4 9W, 3000K

Input Voltage (VAC)	120-277
System Level Power (W)	8.8
Delivered Lumens (Lm)	768
System Efficacy (Lm/W)	87.0
Correlated Color Temp (K)	3048
Color Rendering Index (CRI)	95 R9=64
Beam Angle	80.1
Spacing Criteria	1.16



#### Intensity Summary (Candle Power)

Angle	Mean CP
0	423
5	421
15	401
25	359
35	290
45	189
55	91
65	44
75	22
85	6
90	0

#### Cone of Light Tabulation

Mounted height (Inches)	Footcandles Beam Center	Diameter (Feet)
4	26.4	12.8
6	11.7	19.2
8	6.6	25.6
10	4.2	32.0
12	2.9	38.4
14	2.1	44.8
16	1.6	51.2

#### Zonal Lumen Summary

Zone	Lumens	% of Luminaire
0-30	314	40.9%
0-40	488	63.6%
0-60	699	91.1%
0-90	768	100%
90-180	0	0%
0-180	768	100%

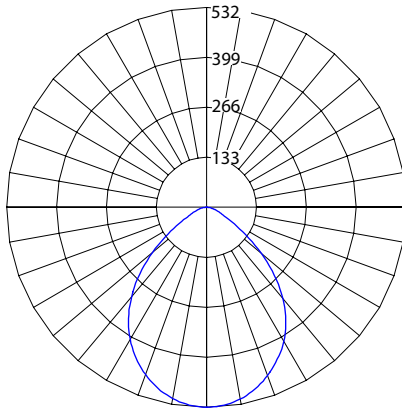
Data Multiplier applies to Lumens, Candle Power, Cone of Light, and Zonal Lumen Summary. See Performance Table for Lm, Watts and LPW values.

#### Data Multiplier

	30K	35K	40K	50K
Low	0.773	0.801	0.810	0.781
Med	0.893	0.924	0.935	0.902
High	1.000	1.035	1.047	1.010

#### CLR6 11W, 3000K

Input Voltage (VAC)	120-277
System Level Power (W)	10.9
Delivered Lumens (Lm)	1011
System Efficacy (Lm/W)	92.8
Correlated Color Temp (K)	3022
Color Rendering Index (CRI)	93 R9=61
Beam Angle	89.0
Spacing Criteria	1.16



#### Intensity Summary (Candle Power)

Angle	Mean CP
0	532
5	528
15	499
25	444
35	362
45	250
55	124
65	47
75	22
85	5
90	0

#### Cone of Light Tabulation

Mounted height (Inches)	Footcandles Beam Center	Diameter (Feet)
4	33.3	7.7
6	14.8	11.6
8	8.3	15.4
10	5.3	19.3
12	3.7	23.1
14	2.7	27.0
16	2.0	30.8

#### Zonal Lumen Summary

Zone	Lumens	% of Luminaire
0-30	395	39.1%
0-40	623	61.6%
0-60	932	92.2%
0-90	1011	100%
90-180	0	0%
0-180	1011	100%

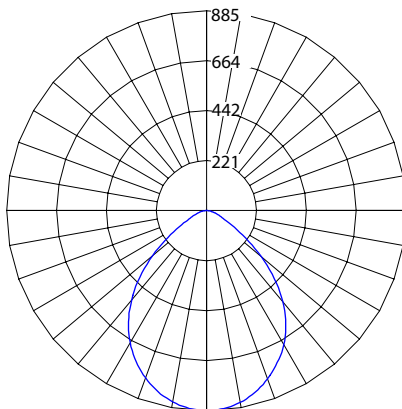
Data Multiplier applies to Lumens, Candle Power, Cone of Light, and Zonal Lumen Summary. See Performance Table for Lm, Watts and LPW values.

#### Data Multiplier

	30K	35K	40K	50K
Low	0.632	0.678	0.695	0.674
Med	0.789	0.848	0.869	0.843
High	1.000	1.073	1.101	1.067

#### CLR8 22W, 3000K

Input Voltage (VAC)	120-277
System Level Power (W)	21.3
Delivered Lumens (Lm)	2154
System Efficacy (Lm/W)	101.3
Correlated Color Temp (K)	3065
Color Rendering Index (CRI)	93 R9=62
Beam Angle	91.3
Spacing Criteria	1.18



#### Intensity Summary (Candle Power)

Angle	Mean CP
0	884
5	877
15	829
25	742
35	623
45	472
55	290
65	110
75	32
85	8
90	0

#### Cone of Light Tabulation

Mounted height (Inches)	Footcandles Beam Center	Diameter (Feet)
4	55.3	8.5
6	24.5	12.8
8	13.8	17.1
10	8.8	21.4
12	6.1	25.6
14	4.5	29.9
16	3.4	34.2

#### Zonal Lumen Summary

Zone	Lumens	% of Luminaire
0-30	659	36%
0-40	1049	57.2%
0-60	1674	91.3%
0-90	1833	100%
90-180	0	0%
0-180	1833	100%

Data Multiplier applies to Lumens, Candle Power, Cone of Light, and Zonal Lumen Summary. See Performance Table for Lm, Watts and LPW values.

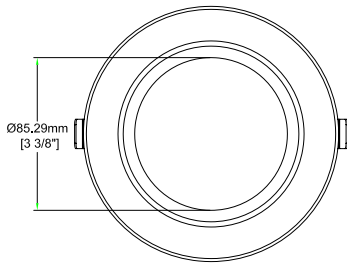
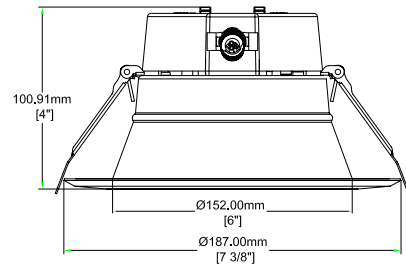
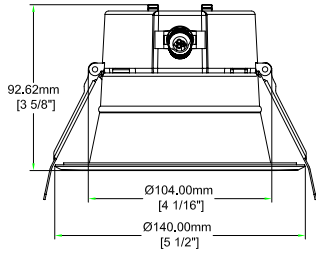
#### Data Multiplier

	30K	35K	40K	50K
Low	0.476	0.488	0.489	0.481
Med	0.714	0.733	0.733	0.721
High	1.000	1.025	1.027	1.009

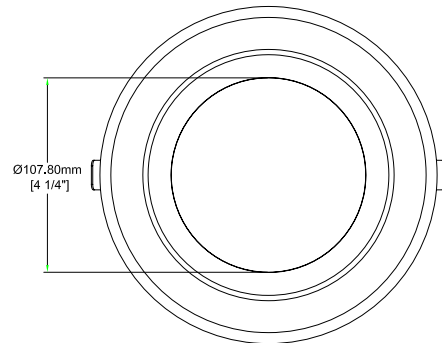
# CLRv3 Select

## Commercial Recessed LED Downlight

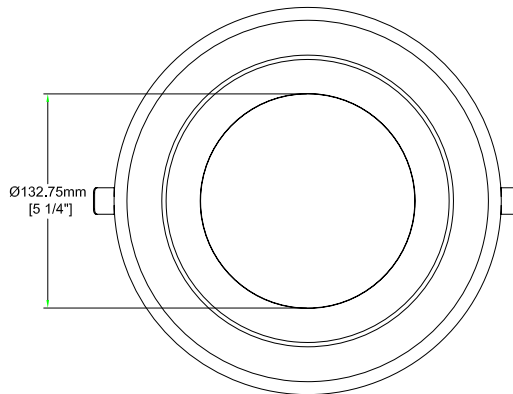
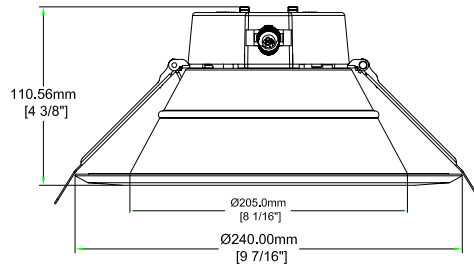
### Dimensions



**CLR4v3**



**CLR6v3**



**CLR8v3**

This device complies with part 15 of the FCC Rules. Operation is subject to the following two conditions: (1) This device may not cause harmful interference, and (2) this device must accept any interference received, including interference that may cause undesired operation.

NOTE: This equipment has been tested and found to comply with the limits for a Class A digital device, pursuant to part 15 of the FCC Rules. These limits are designed to provide reasonable protection against harmful interference when the equipment is operated in a commercial environment. This equipment generates, uses, and can radiate radio frequency energy and, if not installed and used in accordance with the instruction manual, may cause harmful interference to radio communications. Operation of this equipment in a residential area is likely to cause harmful interference in which case the user will be required to correct the interference at his own expense.